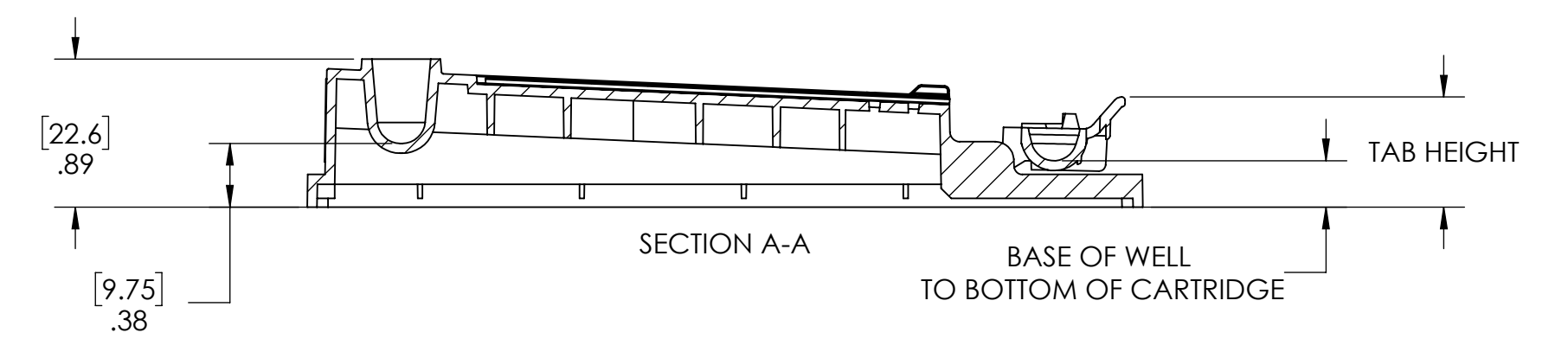
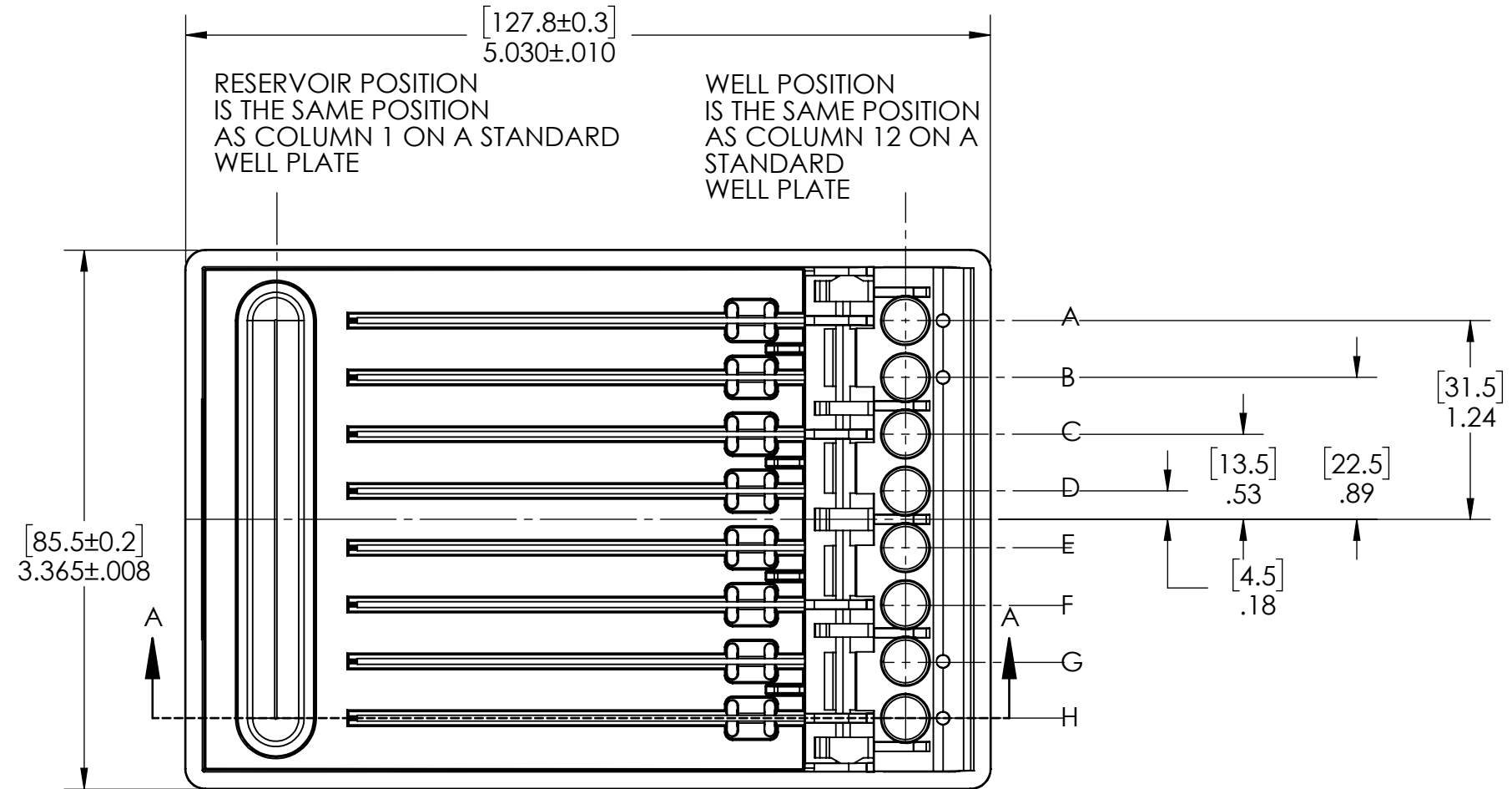



WELL DETAILS BY CHECKIT SIZE

	BASE OF WELL TO BOTTOM OF CARTRIDGE [mm]/IN	TAB HEIGHT [mm]/IN
CHECKIT GO 5 uL	[8.3]/ .33	[16.8]/ .66
CHECKIT GO 10 uL	[8.3]/ .33	[16.8]/ .66
CHECKIT GO 20 uL	[8.0]/ .31	[16.8]/ .66
CHECKIT GO 50 uL	[7.0]/ .28	[16.8]/ .66



NOTES:
 1. THE CHECKIT GO CARTRIDGE COMFORMS TO THE ANSI SLAS 4-2004 STANDARD FOR MICROPLATE WELL POSITIONS

THE INFORMATION CONTAINED IN THIS DRAWING IS THE SOLE PROPERTY OF NEXT ADVANCE, INC. ANY REPRODUCTION IN PART OR WHOLE WITHOUT THE WRITTEN PERMISSION OF NEXT ADVANCE, INC. IS PROHIBITED.	 2113 NY-7 Troy, N.Y. 12180 USA Phone (518)-7126512	
	CHECKIT GO CARTRIDGE INTERFACE DRAWING	
DO NOT SCALE DRAWING	SIZE B DWG NO. 7053534-03	REV 03
SCALE 1:1	WT: LBS (ESTIMATED)	SHEET 1 OF 1